

TONE

It redefines comfort in its elegant lines and in different areas of use that the user has with the next generation of design technology.



Tone, with its height adjustable neck support, and the synchronous mechanism technology it offers for the back, the height and depth adjustable leg, font and armrest, and with its anti-bacterial and water-resistant upholstery, is designed to address the needs of new generation modern offices.



STONE
by
bürotime

technical document



product family



tone 101



tone 102



tone 201



tone 202



tone 112 / tone 212

technical spesifications



Neck support

Height adjustable neck support provides comfort for users of different lengths.



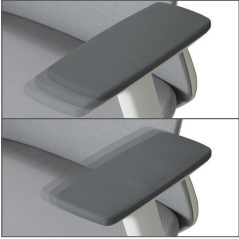
Synchronous mechanism

Synchronous mechanism technology provides an ergonomic session by synchronizing the back and the font at different angles.



Arm support

Adjustable arm support can be adjusted up-down, forward-backward, inside-out.



Adjustable Arm Support

up down, back and forth, inward-outward adjustable.



Control arms

The easily accessible tension and height control arm adjusts the seat tension and height. The lock arm comfortably locks your seat back tilting position at the desired tilt angle.



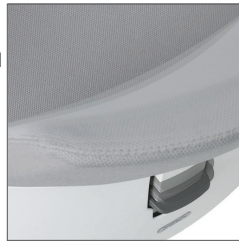
Depth-set sitting

Providing ergonomic fit for users of different lengths.



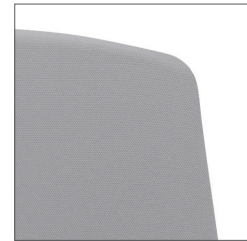
Legs

Strong plastic feet and polyurethane wheels provide comfortable handling without scratching the floor.



Lumbar support

Yükseklik ayarlı bel desteği doğru oturuş pozisyonu için kullanıcıları destekler.

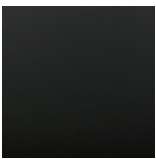


Fabric

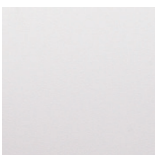
The anti-bacterial and waterproof fabric has a natural and soft texture in strong and durable construction.

color options

back color

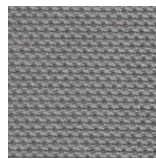


black



white

upholstery color



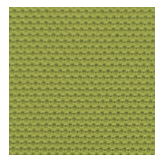
grey



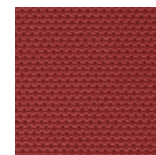
black



brown



green



red

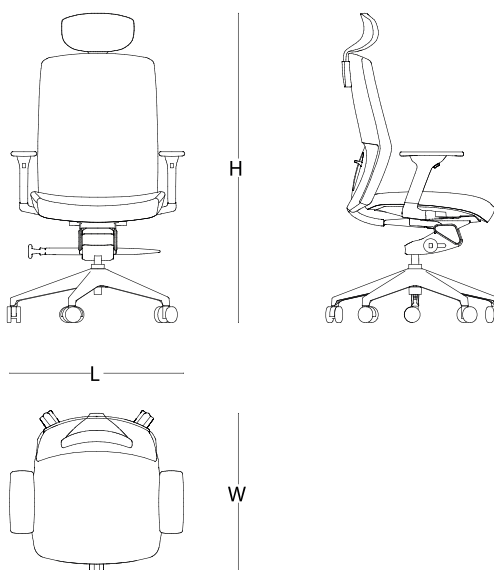
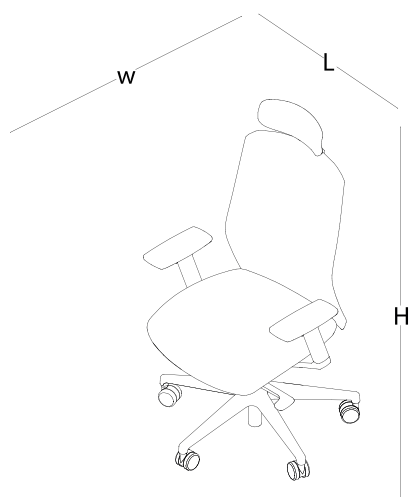
feature table

	TONE 101	TONE 102	TONE 201	TONE 202	TONE 112	TONE 212
HEIGHT ADJUSTABLE NECK SUPPORT	✓	-	✓	-	-	-
HEIGHT ADJUSTABLE ARM SUPPORT	✓	✓	-	-	-	-
DEPTH-ADJUSTABLE ARM SUPPORT	✓	✓	-	-	-	-
FIXED ARM SUPPORT	-	-	✓	✓	✓	✓
SYNCHRONOUS MECHANISM	✓	✓	✓	✓	-	-
BACK HARDNESS ADJUSTMENT	✓	✓	✓	✓	-	-
DEPTH SET SITTING	✓	✓	✓	✓	-	-
ADJUSTABLE LUMBAR SUPPORT	✓	✓	✓	✓	-	-
PLASTIC LEG	✓	✓	✓	✓	-	-
GRAY PAINTED PIPE FOOT	-	-	-	-	✓	✓
PU WHELL	✓	✓	✓	✓	-	-

size chart

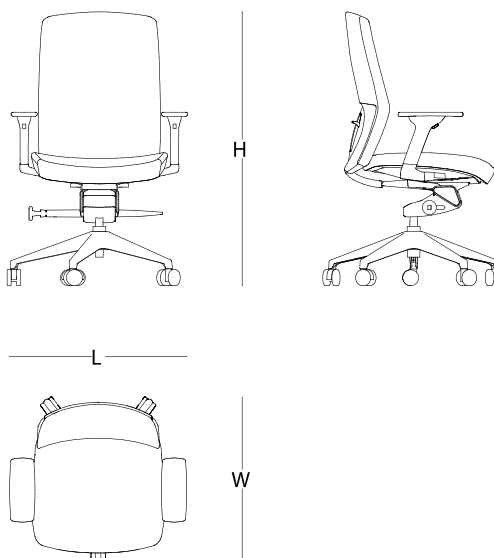
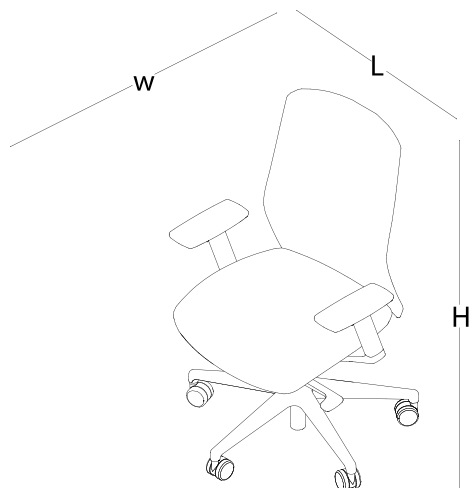
tone 101

H115 W64 L65



tone 102

H98 W64 L65

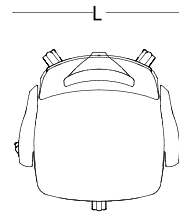
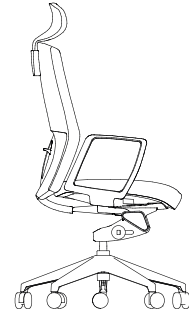
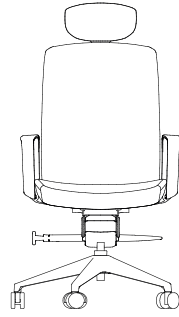
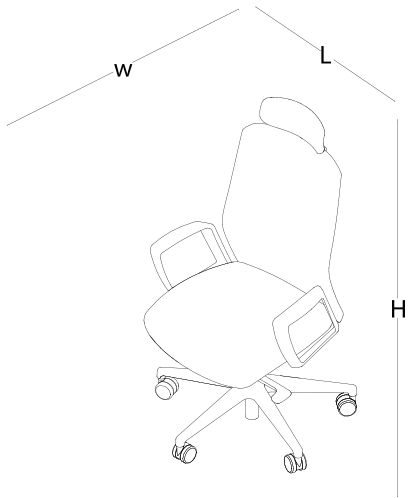


size chart

tone 201
H115

W62

L60

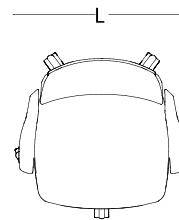
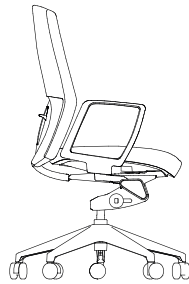
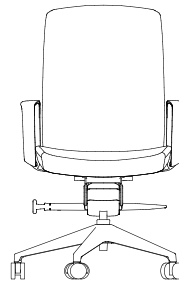
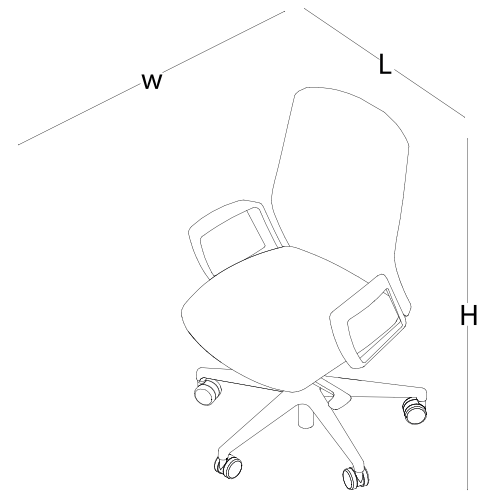


W

tone 202
H98

W62

L60

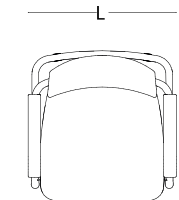
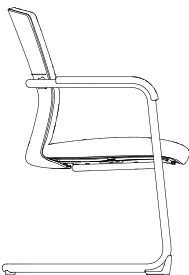
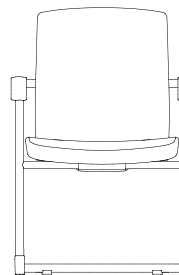
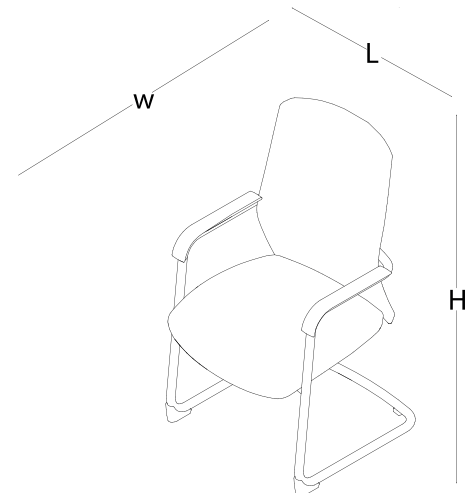


W

tone 112 / tone 212
H99

W63

L58



W